

THE NEW PRO1 R



/ MADE IN ITALY



/ WATER PLUS



/ 7 YEARS WARRANTY



/ DOUBLE SAFETY THERMOSTAT



/ TITANSHIELD TECHNOLOGY

PRO1 R



7 YEARS WARRANTY



WATER PLUS



EXTERNAL TEMPERATURE REGULATION



DOUBLE SAFETY THERMOSTAT



MADE IN ITALY



TITANSIELD TECHNOLOGY



HIGH EFFICIENCY INSULATION



ADVANCED PERFORMANCE

- WaterPlus technology: up to 16 % more hot water available*
- Compliant with top regulations

FULL COMFORT

- External temperature setting
- Double safety thermostat

EVERLASTING QUALITY

- Robust insulation material (polyurethane)
- Magnesium anode to fight corrosion
- High quality titanium enameled tank
- 7 years warranty

EXCLUSIVE DESIGN

- Designed in Italy
- Modern shape with "Ariston wave"



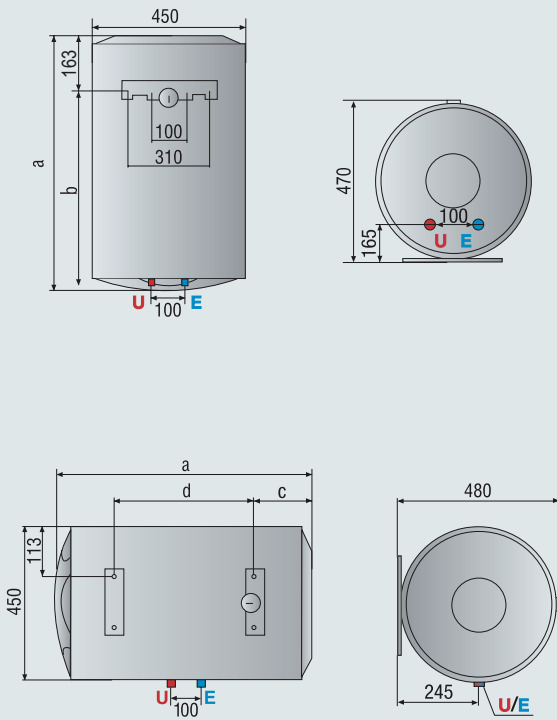
علامة الجودة الإماراتية
Emirates Quality Mark



7 years warranty

* Maximum estimated saving, depending on models. Comparison made using V40 test results at maximum operating temperature between current ATG products and new ATG products equipped with WaterPlus Technology.

DIMENSIONS



OVERALL DIMENSIONS		PRO1 R 50 V	PRO1 R 50 H	PRO1 R 80 V	PRO1 R 80 H	PRO1 R 100 V	PRO1 R 100 H
a	mm	543	543	748	748	900	900
b	mm	380	-	585	-	737	-
c	mm	-	163	-	178	-	178
d	mm	-	159	-	334	-	486

LEGEND

- E** Cold water inlet G 1/2"
- U** Hot water outlet G 1/2"

PRO1 R

50 L - TECHNICAL DATA

		PRO1 R 50 H	PRO1 R 50 H	PRO1 R 50 V	PRO1 R 50 V
Nominal Capacity	L	50	50	50	50
Installation		H	H	V	V
Size		Regular	Regular	Regular	Regular
Power	kW	0.8	1.2	1.5	2
Voltage	V	220 - 240	220 - 240	220 - 240	230
Heating time ($\Delta T=45^{\circ}\text{C}$)	h.min	3.13'	2.09'	1.43'	1.17'
Heat dispersion at 65°C	kWh/24h	1.20	1.02	0.99	0.99
Max working pressure	bar	8	8	8	8
Max working temperature	$^{\circ}\text{C}$	75	75	75	75
Weight	kg	17	17	17	17
Class	IP	IPX1	IPX1	IPX3	IPX3
CODE (UAE)		3201519	3201980	3201977	
CODE			3201830	3201824	3201810

80 L - TECHNICAL DATA

		PRO1 R 80 H	PRO1 R 80 H	PRO1 R 80 H	PRO1 R 80 V	PRO1 R 80 V
Nominal Capacity	L	80	80	80	80	80
Installation		H	H	H	V	V
Size		Regular	Regular	Regular	Regular	Regular
Power	kW	0.8	1.2	1.5	2	2
Voltage	V	220 - 240	230	220 - 240	230	220 - 240
Heating time ($\Delta T=45^{\circ}\text{C}$)	h.min	4.55'	3.17'	2.37'	1.58'	1.58'
Heat dispersion at 65°C	kWh/24h	1.48	1.48	1.48	1.48	1.35
Max working pressure	bar	8	8	8	8	8
Max working temperature	$^{\circ}\text{C}$	75	75	75	75	75
Weight	kg	22	22	22	22	22
Class	IP	IPX1	IPX1	IPX1	IPX3	IPX3
CODE (UAE)		3201522		3201981		3201978
CODE			3201920	3201831	3201813	3201826
						3201811

100 L - TECHNICAL DATA

		PRO1 R 100 H	PRO1 R 100 H	PRO1 R 100 H	PRO1 R 100 H	PRO1 R 100 V	PRO1 R 100 V
Nominal Capacity	L	100	100	100	100	100	100
Installation		H	H	H	H	V	V
Size		Regular	Regular	Regular	Regular	Regular	Regular
Power	kW	0.8	1.2	1.5	3	1.5	2
Voltage	V	220 - 240	220 - 240	220 - 240	230	220 - 240	230
Heating time ($\Delta T=45^{\circ}\text{C}$)	h.min	6.13'	4.08'	3.19'	1.40'	3.19'	2.30'
Heat dispersion at 65°C	kWh/24h	1.65	1.65	1.65	1.65	1.56	1.56
Max working pressure	bar	8	8	8	8	8	8
Max working temperature	$^{\circ}\text{C}$	75	75	75	75	75	75
Weight	kg	26	26	26	26	26	26
Class	IP	IPX1	IPX1	IPX1	IPX1	IPX3	IPX3
CODE (UAE)		3201536	3201542	3201982		3201979	
CODE				3201832	3201935	3201828	3201812

NOTE: The Nominal capacity listed in this catalogue identifies the product category. The actual product capacity is listed in the relative technical documentation.